



Comprehensive monitoring of flammable, toxic and oxygen gas hazards in potentially explosive atmospheres

Sensepoint Pro



One-Stop Shop

- Flammable, toxic and oxygen versions available
- Suitable for indoor or outdoor use
- IP65 as standard

Proven Sensor Technology

- Surecell™ electrochemical sensors
- Poison resistant catalytic bead
- Fast and reliable
- Typical 2 to 5 years operational life

Global Certifications*

- US, Canada and Europe
- Compliant with UL, CSA and ATEX standards
- Includes hazardous area and performance approval

Convenient to Use

- Backlit LCD for dark environments
- Fully configurable via IR remote control
- 4-20mA and relay operation
- Auto-inhibit during maintenance

Cost Effective

- Minimal training required
- Non-intrusive, one-man operation
- Plug-in sensor replacement
- All necessary accessories included

Friendly Installation

- Universal mounting bracket
- 3/4" NPT and M20 entries included as standard
- Suitable for conduit or SWA cable/glands installations

Range of Accessories

- Flow adaptor
- Duct mounting kit
- Collecting cone

*Pending - Contact Honeywell Analytics for more information

The Sensepoint Pro provides comprehensive monitoring of flammable, toxic and oxygen gas hazards in potentially explosive atmospheres, both in and out of doors. Users can modify detector operation using the remote control provided without ever needing to open the unit. This enables one man, non-intrusive, operation and reduces routine maintenance time and costs.

All detectors are supplied pre-configured and include two programmable alarm relays as well as an industry standard 4-20mA output. The scale, range, calibration, relay operation and alarm set points of the detector may all be adjusted via the transmitters' backlit LCD and an intrinsically safe remote control that is also suitable for use in potentially explosive atmospheres. Outputs are automatically inhibited during adjustment thereby reducing the risk of false alarm at the control panel during maintenance.

Sensepoint Pro is supplied with all necessary accessories for easy installation. The detector can be mounted on a wall or round support pole using the universal bracket provided. The detector is ideal for use with either conduit or steel wire armored cable and glands. A 3/4"NPT entry and M20 adaptor are included as standard. A weatherproof cap is also included for use in the harshest outdoor conditions.

Overall, the Sensepoint Pro ensures easy installation and the fastest routine operation by removing the need for hot work permits in hazardous areas. Using an easy to replace plug-in sensor, downtime is also reduced and on-going costs are minimized through the use of poison resistant flammable sensors and patented Surecell™ toxic sensor technology.

Sensepoint Pro meets the more demanding user requirements but assures you of the most cost effective solution to your gas detection needs in the long run.



Installation Details



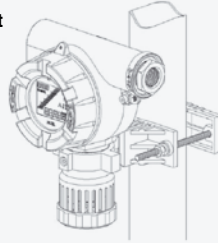
Installation Details

Sensepoint Pro is designed for use in potentially explosive atmospheres. As such, installation should follow national guidelines using suitably approved steel wire armored cable and glands (M20 or 3/4"NPT) or conduit (3/4"NPT).

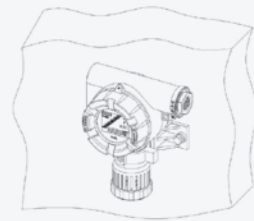
Use 0.5mm² (20AWG) to 2.5mm² (14AWG) cross sectional area cable, as needed to ensure minimum operating voltage at the detector, depending upon installed cable length.

Various accessories are available for different applications.

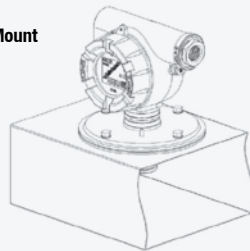
Pole Mount



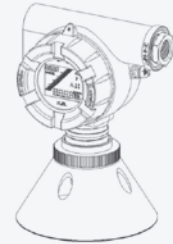
Wall Mount



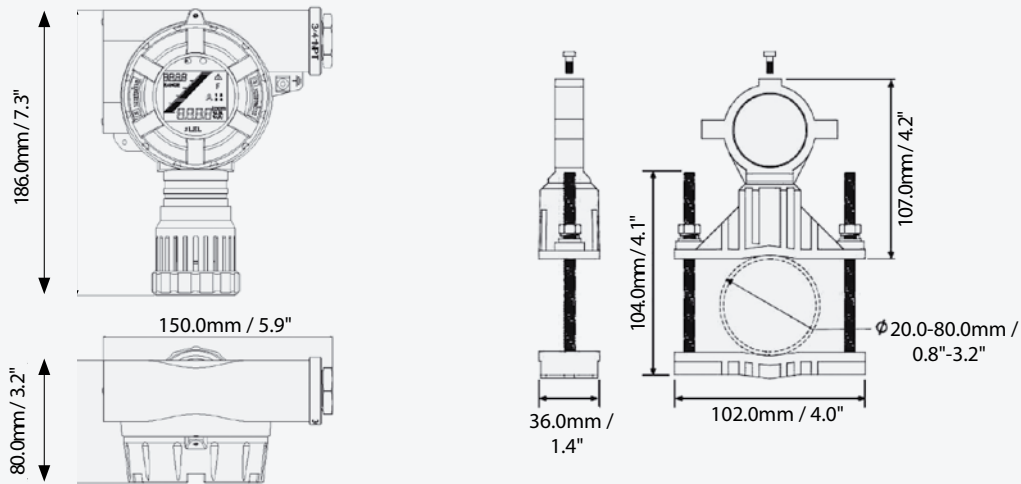
Duct Mount



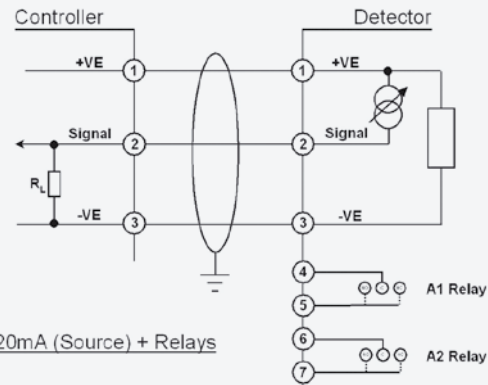
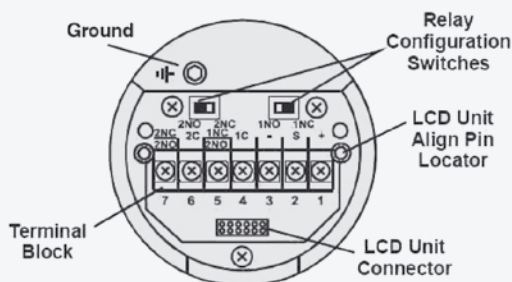
Collecting Cone



Dimensions



Electrical Connections



3 Wire 4-20mA (Source) + Relays

Technical Summary



General Specification						
Use		3 wire, 4-20mA, fixed point gas detector with built in alarm relays for the protection of personnel and plant from flammable, toxic and oxygen gas hazards. Incorporating transmitter with local display and fully configurable via remote handheld control				
Detectable Gases						
Gas		Measuring Range			Operating Temperature*	
Ident	Name	1 [#]	2	3	Min	Max
F	Flammable	0-100% LEL			-20°C / -4°F	50°C / 122°F
O	Oxygen	0-25% VOL			-15°C / 5°F	40°C / 104°F
C	Carbon Monoxide [†]	0-200ppm	0-500ppm		-20°C / -4°F	50°C / 122°F
H	Hydrogen Sulfide [†]	0-50ppm	0-20ppm	0-100ppm	-20°C / -4°F	50°C / 122°F
G	Hydrogen	0-1000ppm			-5°C / 23°F	40°C / 104°F
[†] Surecell™ Sensor Technology		[#] Standard range			[*] Check certified temperature	
Electrical						
General		3 wire connection, 12-30Vdc, 4-20mA (source), common 0Vdc 7 x screw terminals for 0.5mm ² (20AWG) to 2.5mm ² (14AWG) wire Maximum operating current: 300mA (flammable), 150mA (toxic and oxygen) Maximum peak in rush current: 600mA				
Signal		22mA 4-20mA 2mA or 4mA 0mA			Maximum over range Normal operation: 0-100% full scale Output inhibited (2mA or 17.4mA for oxygen) Fault	
Alarm Relays		2 x 3A@240Vac alarm relays User configurable alarm trip point, normally energized/de-energized operation Link selectable output as NO or NC				
Construction						
Material		Main body: Powder coated aluminum (ADC12) Sensor: 316 stainless steel Weatherproof cap: Aluminum, 316 stainless steel mesh				
Weight		1450g				
Certification ATEX		Sensepoint Pro Ex II 2G EEx d IIC T4 (T _{amb} = -20°C to +50°C / -4°F to +122°F)			Sensepoint Pro Remote Control ZHC1 Ex II 2G EEx ib IIC T4 (T _{amb} = -20°C to +50°C / -4°F to +122°F)	
UL		Class 1, Div 1, Groups B, C, D (T _{amb} = -20°C to +50°C / -4°F to +122°F)			Class 1, Div 1, Groups A, B, C, D (T _{amb} = -20°C to +50°C / -4°F to +122°F)	
Applicable Standards		North America: UL1203 Europe: CE, ATEX, EMC (EN50270) Contact Honeywell Analytics for latest information				
Environmental						
IP Rating		IP65 as standard in accordance with EN60529:1992				
Operating Temperature		Dependent upon gas type and certification				
Operating Humidity Range		Continuous: 20-90%RH (non condensing), Intermittent: 10-99%RH (non condensing)				
Operating Pressure		90-110kPa				
Storage Conditions		Instrument -40°C to +50°C (-40°F to +122°F)				

* Oxygen detection products must only be used to detect oxygen depletion in air.

Ordering Information



Ordering Information															
<p>e.g. SP PR U X F 1 = SPPRUXF1</p>															
<table border="1"> <thead> <tr> <th colspan="2">STANDARDS</th> </tr> </thead> <tbody> <tr> <td>U</td> <td>USA (UL)</td> </tr> <tr> <td>A</td> <td>Europe (ATEX)</td> </tr> </tbody> </table>	STANDARDS		U	USA (UL)	A	Europe (ATEX)	<table border="1"> <thead> <tr> <th colspan="2">RANGE</th> </tr> </thead> <tbody> <tr> <td>1</td> <td>Refer to</td> </tr> <tr> <td>2</td> <td rowspan="2">} Detectable Gases</td> </tr> <tr> <td>3</td> <td>Table Above</td> </tr> </tbody> </table>	RANGE		1	Refer to	2	} Detectable Gases	3	Table Above
STANDARDS															
U	USA (UL)														
A	Europe (ATEX)														
RANGE															
1	Refer to														
2	} Detectable Gases														
3		Table Above													
<table border="1"> <thead> <tr> <th colspan="2">GAS TYPE</th> </tr> </thead> <tbody> <tr> <td>F</td> <td>Flammable</td> </tr> <tr> <td>O</td> <td>Oxygen</td> </tr> <tr> <td>C</td> <td>Carbon Monoxide</td> </tr> <tr> <td>H</td> <td>Hydrogen Sulphide</td> </tr> <tr> <td>G</td> <td>Hydrogen</td> </tr> </tbody> </table>		GAS TYPE		F	Flammable	O	Oxygen	C	Carbon Monoxide	H	Hydrogen Sulphide	G	Hydrogen		
GAS TYPE															
F	Flammable														
O	Oxygen														
C	Carbon Monoxide														
H	Hydrogen Sulphide														
G	Hydrogen														
Standard Supply															
<p>Each detector is supplied complete with IS remote control, 3/4"NPT entry, 3/4"NPT to M20 adaptor, wall mounting bracket, pole mounting bracket, weatherproof cap, necessary Allen keys and instruction manual all sealed in a plastic bag inside a shipping carton</p>															
Shipping Details															
<p>Shipping carton dimensions: L312mm (12.3") x W223mm (8.8") x D110mm (4.3") Approximate weight: 1.5kg (3.3lbs)</p>															
Optional Accessories															
<p>SPPPC Collecting cone SPPPCAL Flow adaptor SPPDDM Duct mounting kit</p>															
Calibration Equipment															
<p>Contact a Honeywell Analytics Representative</p>															

