

Product Overview

Sensepoint XCD

Honeywell

www.norrscope.com

Sensepoint XCD Overview

- **Flammable, toxic and oxygen gas detectors**
 - 3 wire (sink/source) 4-20mA output + relays
 - Modbus RS-485 / RTU
 - Replaces Sensepoint Pro and other 3 wire 4-20mA
- **Non Intrusive 1 man operation**
 - Magnetic switches
- **Plug in Catalytic, IR and ECC sensors**
- **Common transmitter platform**
 - Simplified and reduced cost of installation
 - Reduced training time and cost
 - Less chance of incorrectly configuring / interpreting readings/messages
 - Reduced maintenance spares stock and cost
- **Tri-colour backlit LCD for status indication**
- **Hazardous area certified**
 - UL, CSA, cUL, Inmetro, and ATEX
 - Flameproof transmitter (LM25 or 316 SS)



Sensepoint XCD Part Numbering System

Honeywell

Detector part number:

1. Select certification

- ◆ UL/CSA/Inmetro or ATEX/IECEX

2. Select enclosure material type

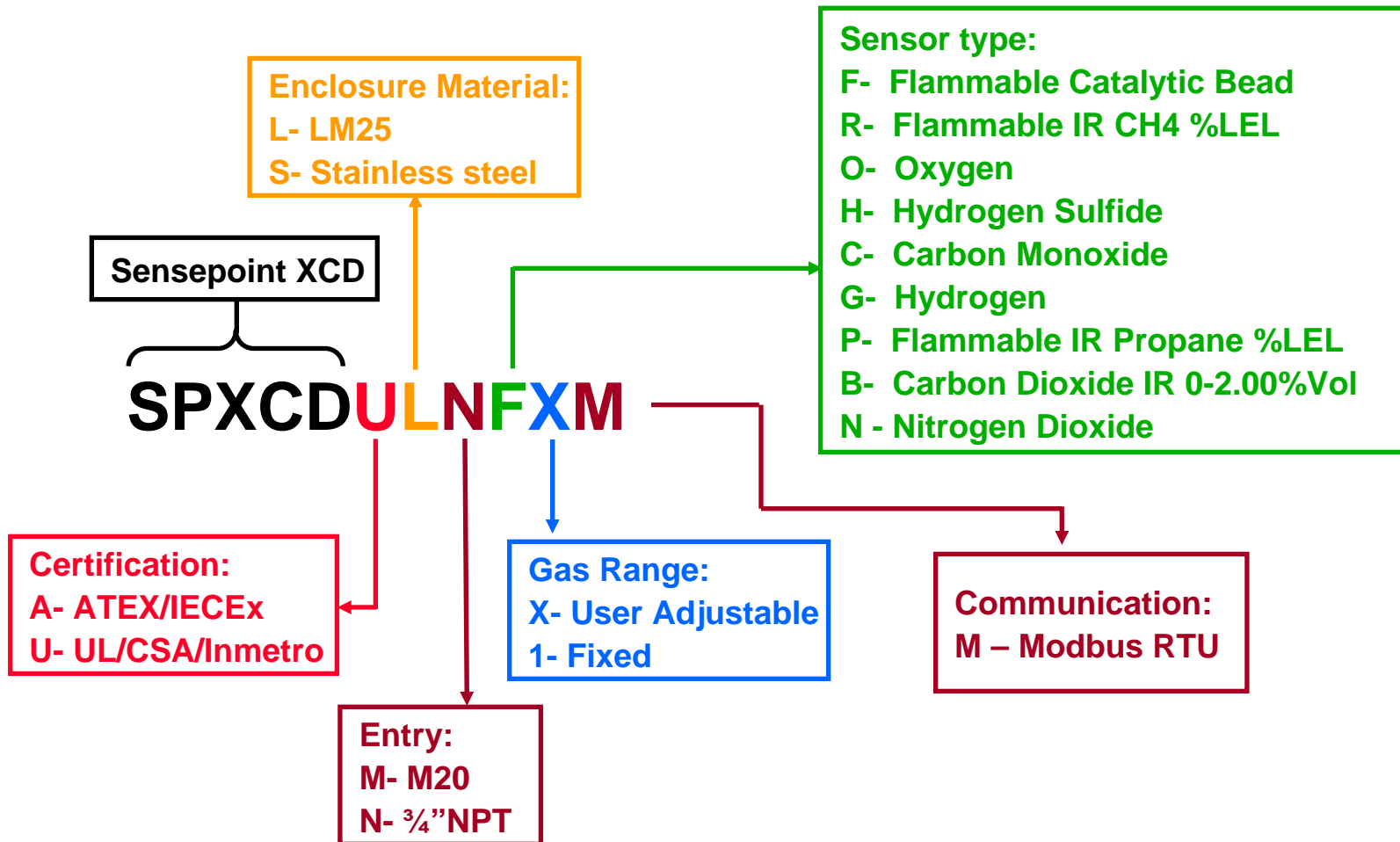
- ◆ Painted aluminium alloy LM25
- ◆ Painted 316 stainless steel

3. Select sensor gas type

- ◆ Catalytic %LEL CH₄, 1* to 8* %LEL
- ◆ Infrared %LEL CH₄, %LEL C₃H₈,
CO₂ 0-2.00%Vol
- ◆ Electrochemical cell O₂, H₂S, CO, H₂, NO₂



Sensepoint XCD Part Numbering System



Sensepoint XCD Sensor Families



Sensepoint XCD Sensor Families, Gases and Ranges								
	Gas	User Selectable Full Scale Range	Default Range	Steps	Selectable Cal Gas Range	Default Cal Point		
Sensor Family	Catalytic Bead Sensors							
	mV	Flammable 1 to 8*	20 to 100%LEL	100%LEL	10%LEL	30 to 70% of selected full scale range	50%LEL	
		Infrared Sensors						
		Methane	20 to 100%LEL	100%LEL	10%LEL		50%LEL	
		Propane	20 to 100%LEL	100%LEL	10%LEL		50%LEL	
		Carbon Dioxide	2%Vol.	2%Vol.	0.1%Vol.		1%Vol.	
	Electrochemical Sensors							
	EC	Hydrogen Sulfide	10 to 100ppm	50.0ppm	0.1 ppm		10ppm	
		Carbon Monoxide	100 to 1,000ppm	300ppm	100ppm		100ppm	
		Hydrogen	1,000ppm only	1,000ppm	n/a		500ppm	
		Nitrogen Dioxide	10 to 50ppm	10ppm	5ppm		5ppm.	
	O ₂	Oxygen	25%Vol. only	25%Vol.	n/a	20.9%Vol. (Fixed)	20.9%Vol.	

*Contact HA for Availability of %Vol. IR
www.norrscope.com

Modular design



- **Plug-in modules simplify maintenance**
 - Display, terminal, sensor modules easy to fit and replace
 - Minimal number of parts required
 - No need for 'specialist' knowledge for basic maintenance
- **Sensor replacement**
 - External plug in sensor
- **Non-intrusive operation**
 - Removes need for 'hot work' permit
 - Minimizes time for routine maintenance

Sensepoint XCD Ordering Information

Honeywell

- **Complete product has two parts:**
 - Pre configured sensor
 - Transmitter includes
 - ◆ Integral mounting lugs
 - ◆ Magnetic tool
 - ◆ Sensor weather protection
 - ◆ Manuals (on CD ROM)
- **Optional accessories to suit application**
 - Gassing Cap
 - Collecting cone
 - Remote sensor mounting kit
 - Duct mounting kit
 - Pipe mounting bracket
 - Sunshade/deluge cover



www.norrscope.com

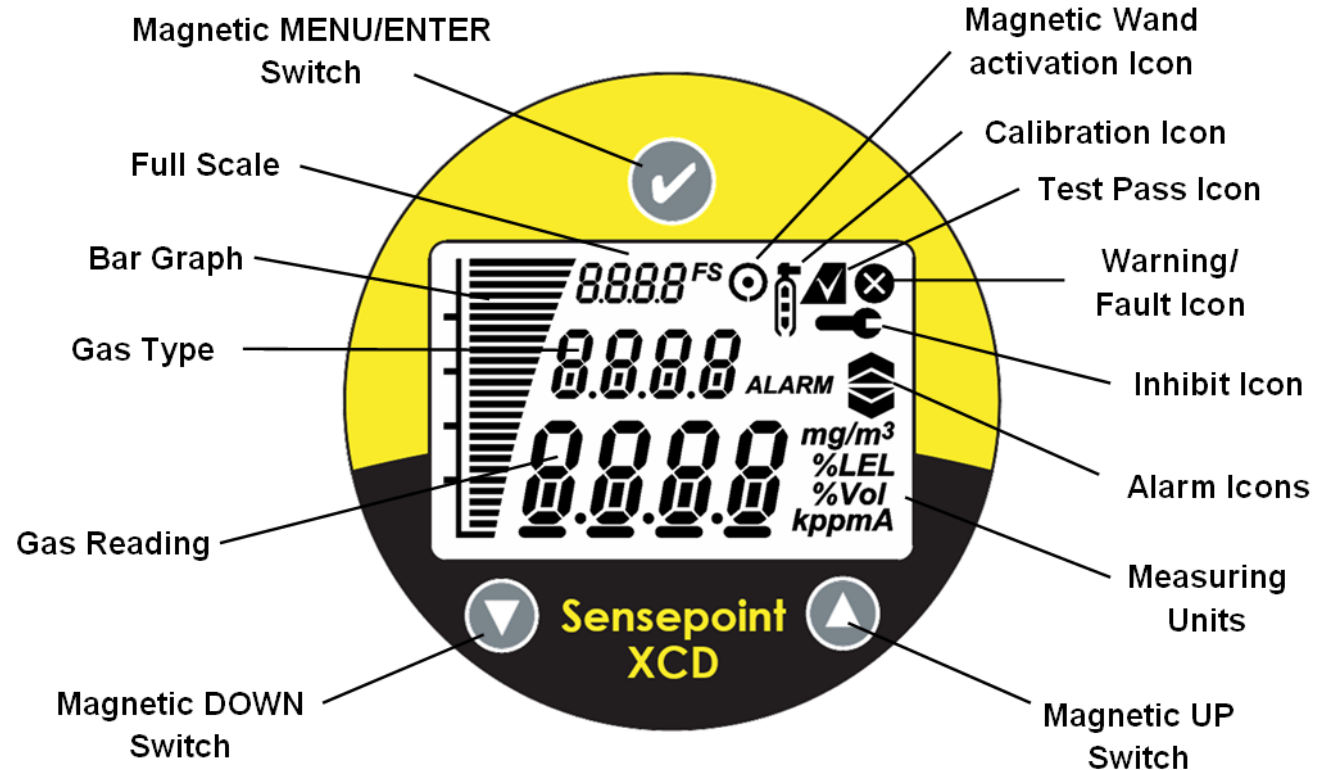
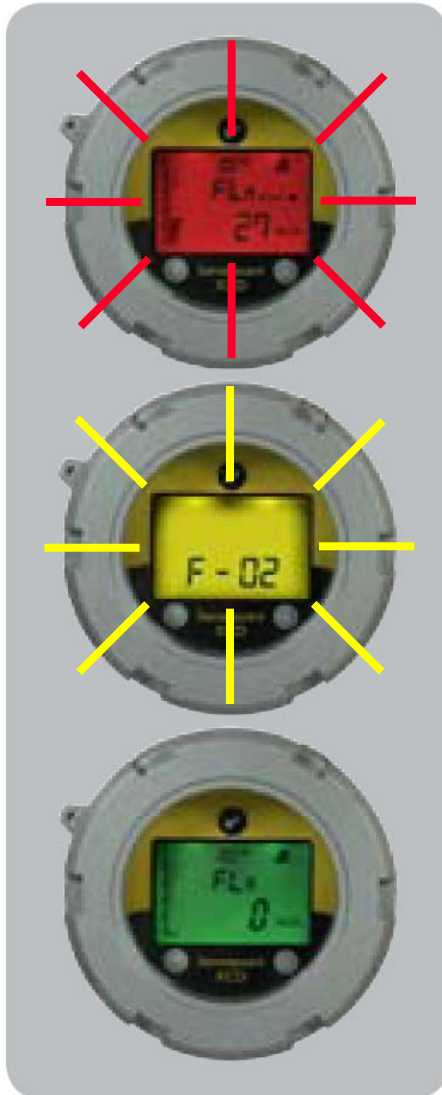
Product Overview Presentation Sensepoint XCD rev 1

Reflex™ Detection Cell Diagnostics

- Reflex™ is a Honeywell Analytics patented fault diagnostic routine for electrochemical cells
- Reflex™ increases operator confidence of detector operability and availability
- Reflex™ is initiated automatically by the transmitter
 - On transmitter power up
 - During sensor exchange
 - At 8 hourly intervals during operation
- Reflex™ checks for:
 - Cell presence
 - Cell dry out
 - Cell open circuit and cell short circuit
 - (Note: Not relevant for O₂ detection. Does not remove the need for regular response gas checks or calibration).

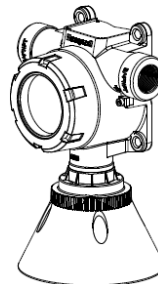
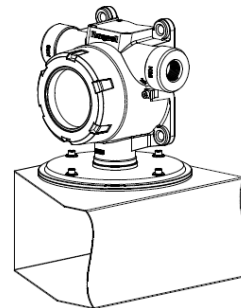
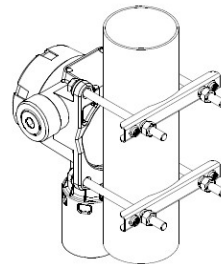
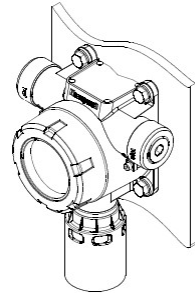
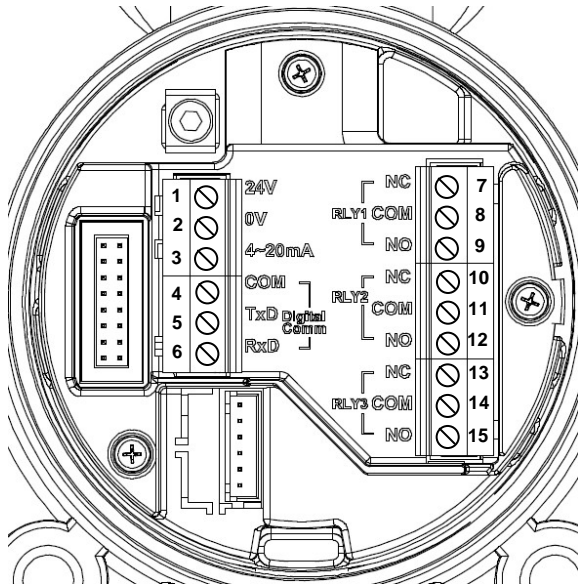


Simple non intrusive operation

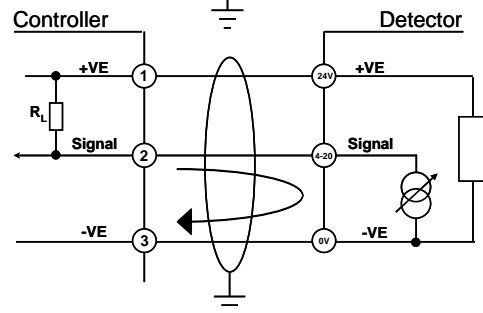
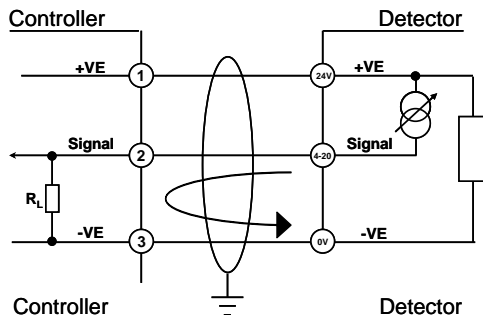


- Tricolour backlit LCD
- Instantly recognisable 'Traffic Light' colours
- Clear indication of unit status- even from a distance
- Simple Magnetic switch operation

Simple installation



- **Removable display module**
 - Enables unhindered access to terminals
- **Wall or pipe mount**
 - Optional pipe mount bracket included with every unit
- **Collecting cone**
 - Replaces weatherproof cover
 - Includes inlet for remote gassing
- **Duct mount arrangement**
 - Clamping ring for duct
 - Removable plate attaches to ring
 - Detector attaches to the plate
 - External inlet for remote gassing
- **Sink or source wiring**
 - Switch selectable
 - Flexible to preferred topology



Sensepoint XCD Summary

- **Reduced installation costs**
 - **Common design for all detectors**
 - ◆ Same tools/installation methods reduces install costs
- **Reduced operation costs**
 - **Same user interface for all detectors**
 - ◆ Less chance of incorrectly configuring/interpreting readings/messages increases detector up time
 - ◆ Reduced training time reduces training costs
- **Reduced maintenance costs**
 - **Replaceable plug in sensors**
 - ◆ Less time and cost to maintain detectors
 - **Many common spare parts**
 - ◆ Reduced maintenance/spares stock level and cost
- **Increased safety**
 - **Unique tri-colour LCD provides**
 - ◆ Unambiguous status at a glance improves safety
 - ◆ Easy to see which detectors are operating normally, need service attention or in alarm
 - ◆ Intuitive traffic light colours provide clear message even to 'un-trained' personnel
 - ◆ Clearly visible, even from a distance warns personnel from entering unsafe area
 - ◆ Easier to locate units detectors that are often dotted around a facility increases safety and reduces maintenance time/costs
 - ◆ Simple and effective.

